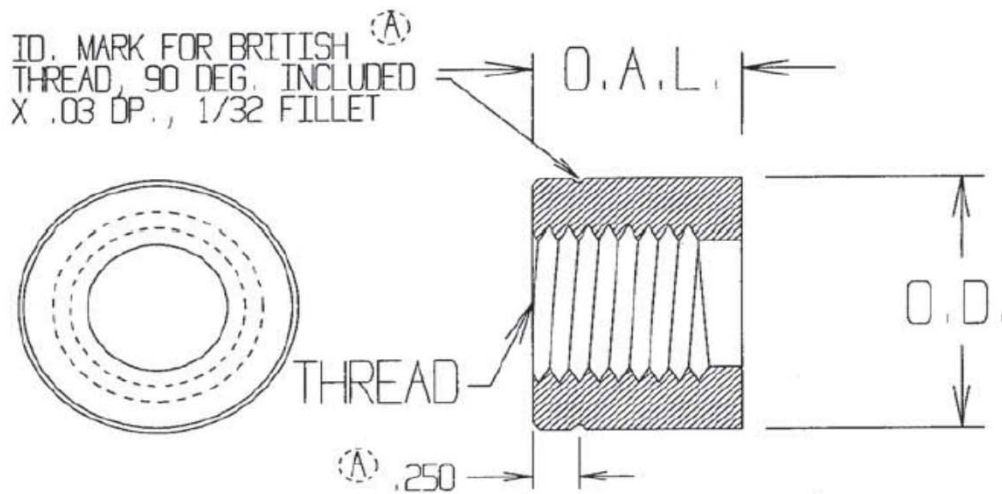


BRITISH STANDARD PIPE PARALELL HALF COUPLING (BSPP)



PART NO.	THREAD	O.D.	O.A.L.	THRU HOLE
ATC-40-02	1/8 - 28	0.75	1.00	0.339
ATC-40-03	1/4 - 19	1.00	1.00	0.453
ATC-40-04	3/8 - 19	1.00	1.00	0.589
ATC-40-05	1/2 - 14	1.25	1.00	0.734
ATC-40-06	3/4 - 14	1.75	1.00	0.953
ATC-40-07	1 - 11	2.00	1.00	1.192
ATC-40-08	1 1/4 - 11	2.50	1.20	1.533
ATC-40-09	1 1/2 - 11	2.62	1.30	1.765
ATC-40-10	2 - 11	3.50	1.50	2.230
ATC-40-11	2 1/2 - 11		1.50	2.844